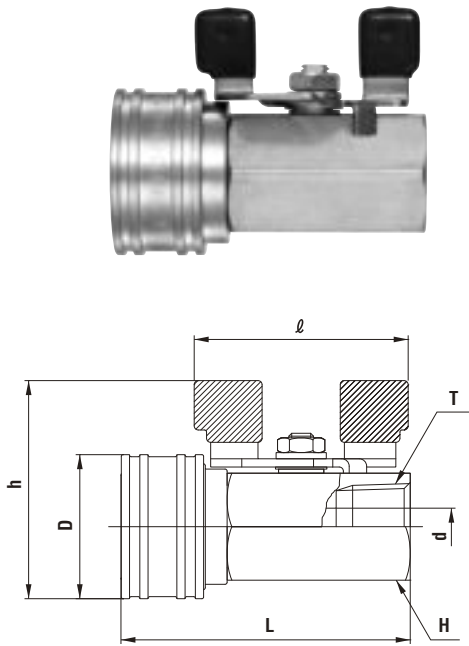


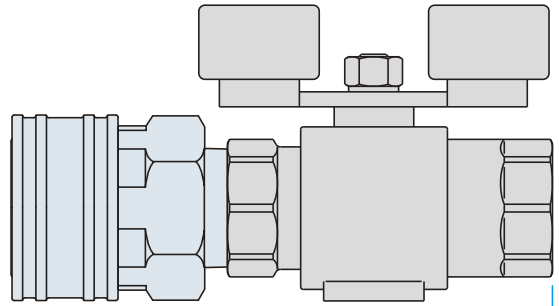
Socket BV-TSF type (Female thread)



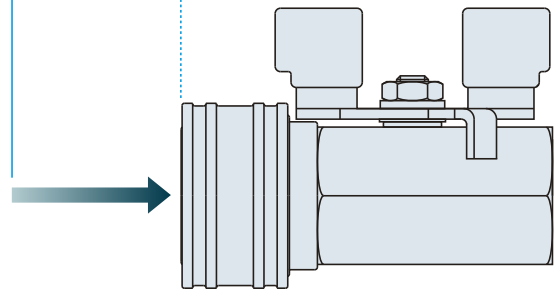
Model	Application	Mass (g)	Dimensions (mm)						
			L	h	σD	H(WAF)	T	σd	ℓ
BV-2TSF	R 1/4	104	(52.5)	(43)	24	Hex.17	Rc 1/4	5	(38.5)
BV-3TSF	R 3/8	163	(60.5)	(47.5)	28	Hex.21	Rc 3/8	7.5	(44)
BV-4TSF	R 1/2	270	(70.5)	(53)	35	Hex.26	Rc 1/2	9	(52)
BV-6TSF	R 3/4	491	(83)	(66)	45	Hex.32	Rc 3/4	12.5	(60.5)
BV-8TSF	R 1	904	(102.5)	(77)	58	Hex.41	Rc 1	16	(74.5)

TSP Cupla Socket with Ball Valve

TSP Cupla Socket + Commercially Available Ball Valve



Overall length reduced by around 30%



Compact and enhanced sealing design

Connection part between a Standard TSP Cupla socket and a commercially available ball valve is eliminated for enhanced sealing and the overall length is reduced by around 30%.